

PRODUCT TECHNICAL SHEET

Collection : **PILE & FACE**

Ref. : **1002.11.40**

Mélangeur lavabo monotrou, sans vidage

Eéngats wastafelmengkraan zonder lediging

Single hole sink mixer, without waste

Picture



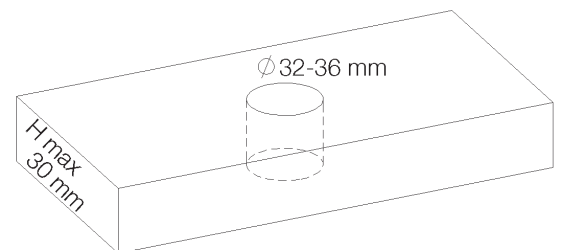
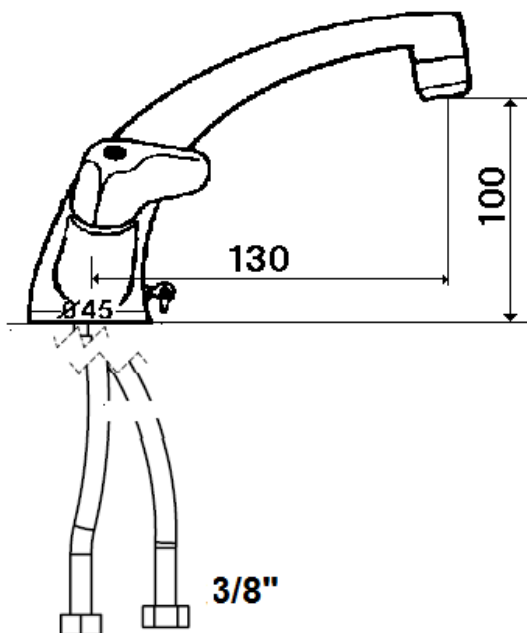
Product details

Weight : 1,9 kg

Flow at 3 bar : 7,5 l/min

Internal mechanism : 1/3 turn compression valve

Technical drawing



RN01/04/2012.V01